

# EA 223D UBA

EA antipollution non-return valves

System 03

## Technical Data Sheet



## Description

The non-return valve EA 223D UBA is certified to the NF antipollution norms. This non-return valve is designed for the protection of drinking water network against polluted backflow which has no recognized toxic or microbiological risks to human health. It is particularly suitable for mounting after watermeter.

- Operates in any position
- Minimum head loss
- Particularly suitable for pressure water systems
- Does not generate hammering
- Closing system : axial guiding with return spring
- Excellent sealing at high as well as at low pressure
- Drilled bosses 1/4" brass plug



## EA 223D UBA

EA antipollution non-return valves - System 03

DN	PFA in bar	PS in bar				Cat.	Ref.	Weight Kg
		L1	L2	G1	G2			
1/2	15	16	16	16	16	4.3	<b>149B98240D</b>	0,22
3/4	20	16	16	16	16	4.3	<b>149B98241D</b>	0,55
1	25	16	16	16	16	4.3	<b>149B98242D</b>	0,88
1 1/4	32	16	16	x	16	4.3	<b>149B98243D</b>	1,23
1 1/2	40	16	16	x	16	4.3	<b>149B98244D</b>	1,94
2	50	16	16	x	16	4.3	<b>149B98245D</b>	3,22

### Important notice :

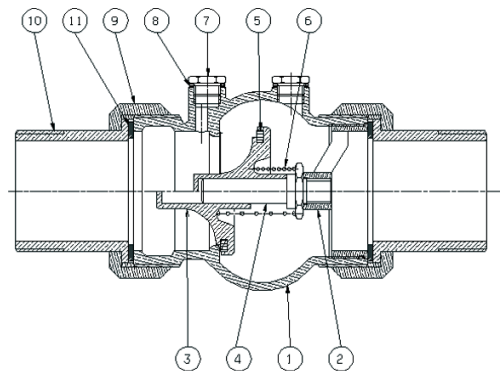
The indicated pressure for the different categories of fluids (L1/L2/G1/G2) is under no condition a guarantee of use. Therefore, it is essential to validate the use of products under given operating conditions.

### Technical features

Operating temperature	-10 °C up to 80 °C
Permissible operating pressure (PFA) in water	See table above
Maximum permissible pressure (PS) other mediums	See table above
Connection	Male/male with union nut, BSP thread
Mediums	Clear liquids, gas

### Nomenclature and materials

N°	Description	Materials	EURO
1	Body	Bronze	EN1982 CuSn5Zn5Pb2-C-GS
2	Guide	Brass	EN12165-CuZn40Pb2 H080 - 4MS
3	Closing system	Brass	EN12164-CuZn40Pb2 R360 - 4MS EN12165-CuZn40Pb2-H080 - 4MS
4	Stem	Brass	EN12164-CuZn35Pb1.5AlAs R350mini 4MS
5	Seal	Silicone	Silicone
6	Spring	Stainless steel	EN10270-3 X10CrNi18-8
7	Plug	Brass	EN12164-CuZn40Pb2 R360 - 4MS
8	Seal	EPDM	EPDM
9	Nut	Brass	EN12165-CuZn40Pb2 H080
10	Socket	Brass	EN12164-CuZn35Pb1.5AlAs R350mini 4MS
11	Seal	Fiber	Tesnit BA-U



## Approvals



### International construction Standards :

NF Antipollution according to NF EN 13959 - EN1717  
Thread connection according to NF EN ISO 228-1 or ISO 7.1  
Accordance CE directive 2014/68/UE

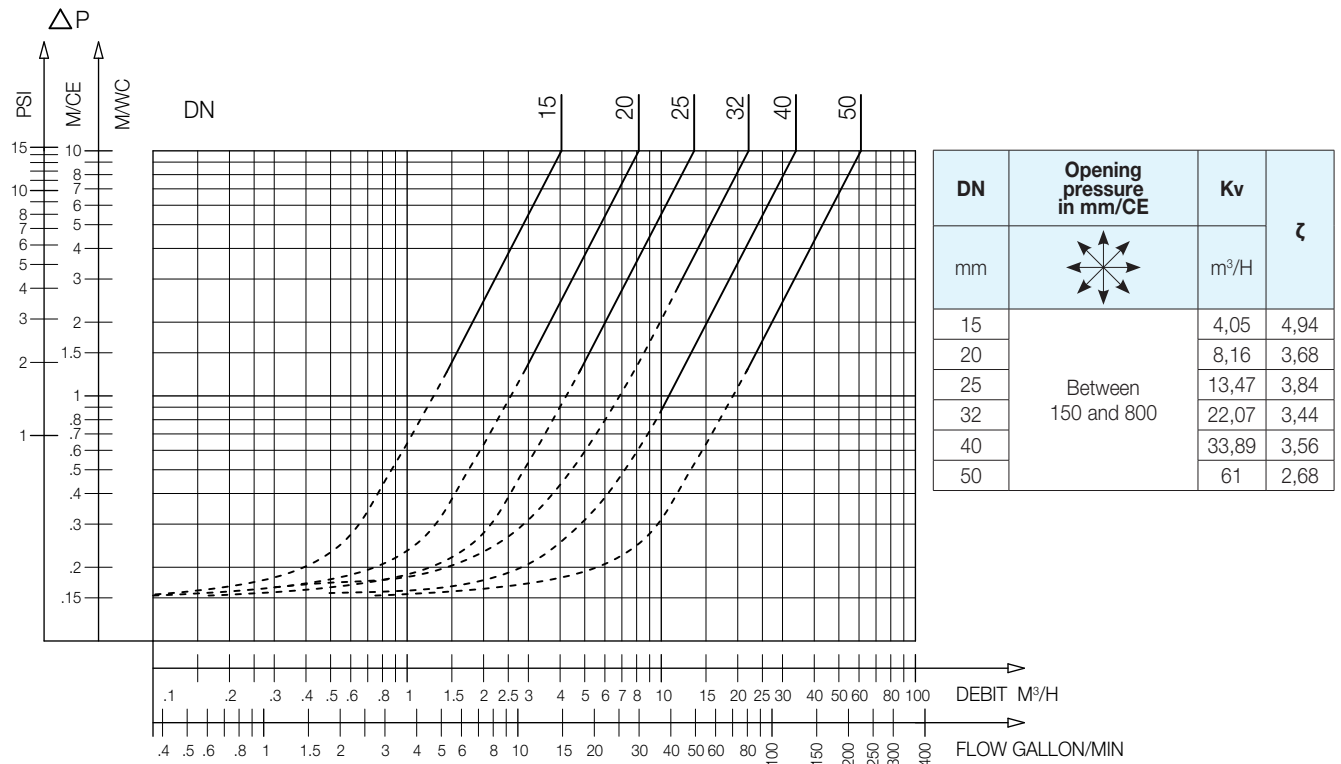
## Application

Housing, water distribution, protection of drinking water networks.

## Operation

### Direction for use :

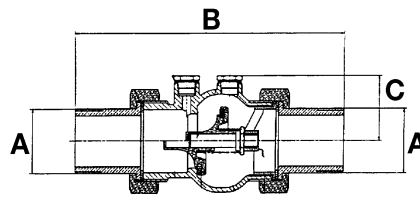
- Solid line: Valve completely open
- Dotted line: opening stage of valve



EA 223D UBA - Headloss chart

## Sizing

DN	Connection A		B	C
	mm	"		
15	15/21	1/2	132	28
20	20/27	3/4	148	35
25	26/34	1	166	39
32	33/42	1 1/4	184	44
40	40/49	1 1/2	194	48
50	50/60	2	231	56



EA 223D UBA

The descriptions and photographs contained in this product specification sheet are supplied by way of information only and are not binding.

Socla reserves the right to carry out any technical and design improvements to its products without prior notice. Warranty : All sales and contracts for sale are expressly conditioned on the buyer's assent to Socla terms and conditions found on its website at [www.socla.com](http://www.socla.com). Socla hereby objects to any term, different from or additional to Socla terms, contained in any buyer communication in any form, unless agreed to in a writing signed by an officer of Socla.



**A WATTS Brand**

**Socla sas**

365 rue du Lieutenant Putier • 71530 Virey-Le-Grand • France

Tel. +33 03 85 97 42 00 • Fax +33 03 85 97 42 42

[contact@wattswater.com](mailto:contact@wattswater.com) • [www.socla.com](http://www.socla.com)

ISO 9001 version 2015 / ISO 18001